

Applications

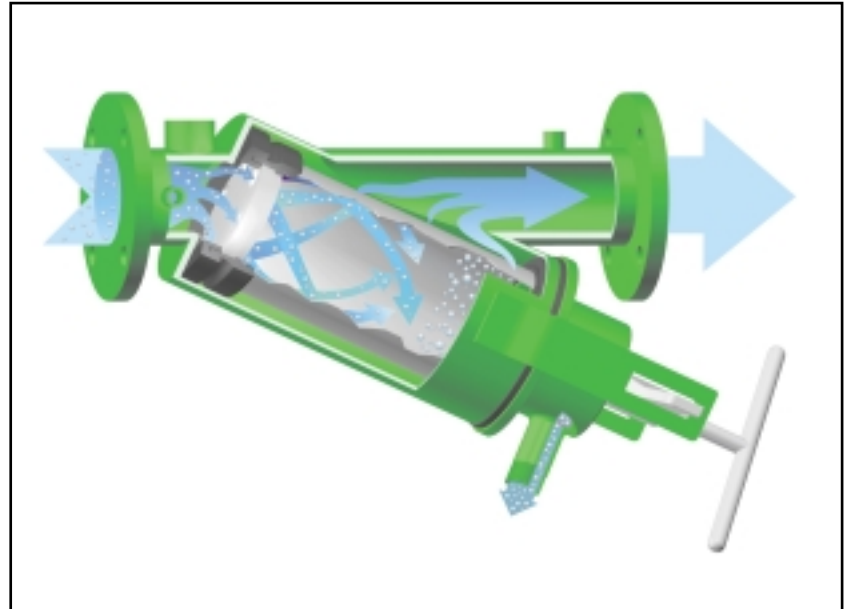
Agriculture



Commercial



Nursery



Product Features

- 💧 No moving parts
- 💧 Unique Spin Clean® action keeps the screen clean
- 💧 All welded steel housing
- 💧 Scotchkote #306 fusion bond epoxy coating
- 💧 Laminated stainless steel screen
- 💧 No backwashing down time
- 💧 Easy screen accessibility
- 💧 150 psi operating pressure
- 💧 Includes pressure check device and air vent



Agricultural Products' Spin Clean® filter is a unique screen filter that stays clean during operation, effectively removing the debris and draining it to atmosphere.

Here's How it Works

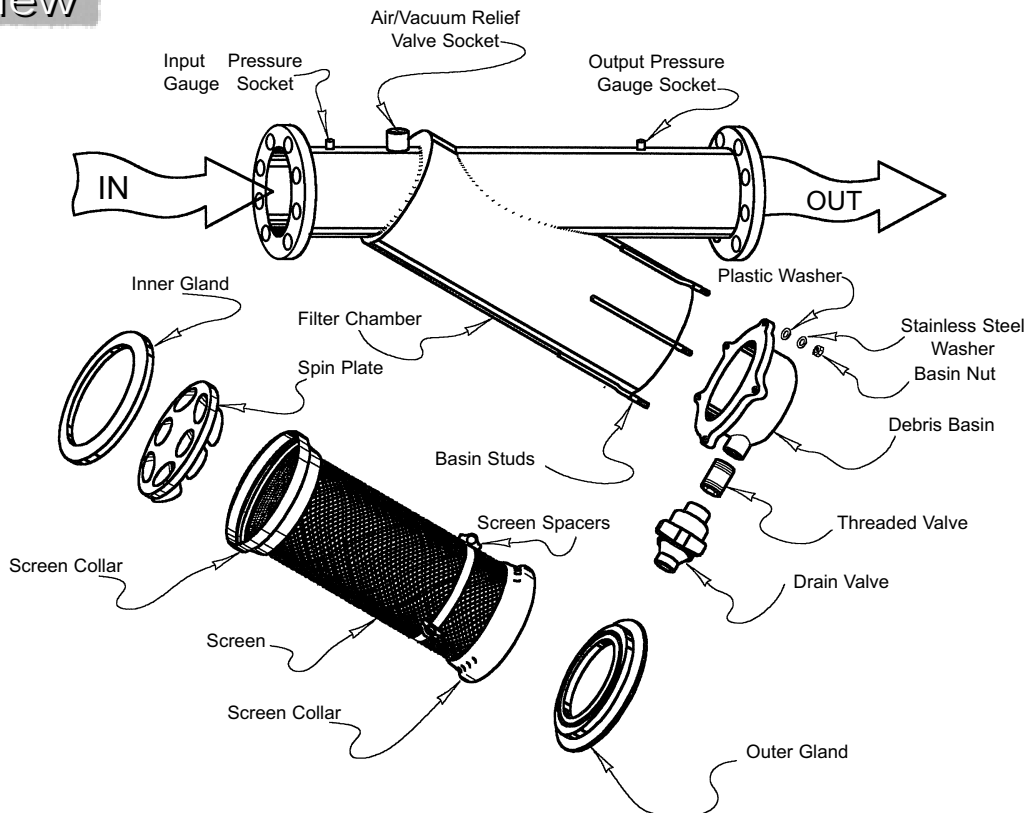
Incoming dirty water is forced through a directional nozzle plate onto the inside of the all-stainless steel filter screen. This centrifugal motion and gravity move the debris downward and out the flush valve, much like washing off a driveway with a hose. Each size filter can accommodate a wide range of flow rates by simply installing plugs in the spin plate. Since the speed of the water entering the screen chamber is important, the plugging of the spin plate maintains the proper velocity to keep the screen clean.

The bonded 316 stainless steel screen is a three-layer composite of perforated plate for strength, a large mesh screen for flow distribution, and the filtration mesh. The sintered wire screen laminate provides strength, durability and chemical resistance. The filter screen is available in 30, 50, 100, 150 or 200 standard mesh sizes.

All API's Spin Clean filters are constructed of standard welded steel pipe with stainless steel air vent and pressure check points, and are pressure rated to 150 psi. All filters sizes are available with class D flat face flanges, and sizes 2" through 4" can be provided with grooved ends. Filter housings are coated with 3M Scotchkote fusion bond epoxy for rust prevention and chemical resistance.

Since the API Spin Clean filter is designed to stay clean while you irrigate, there is no downtime while the filter backwashes or flushes. Should you ever need to service your screen, it is easily accessed with a T-handle on sizes up to 6". A wrench is required on the larger filters.

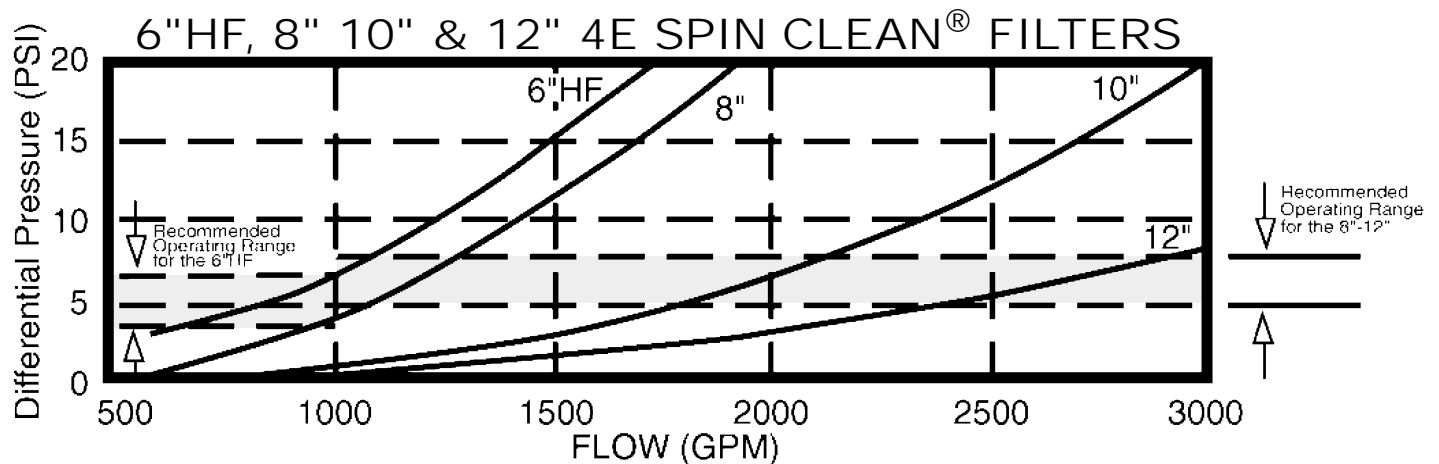
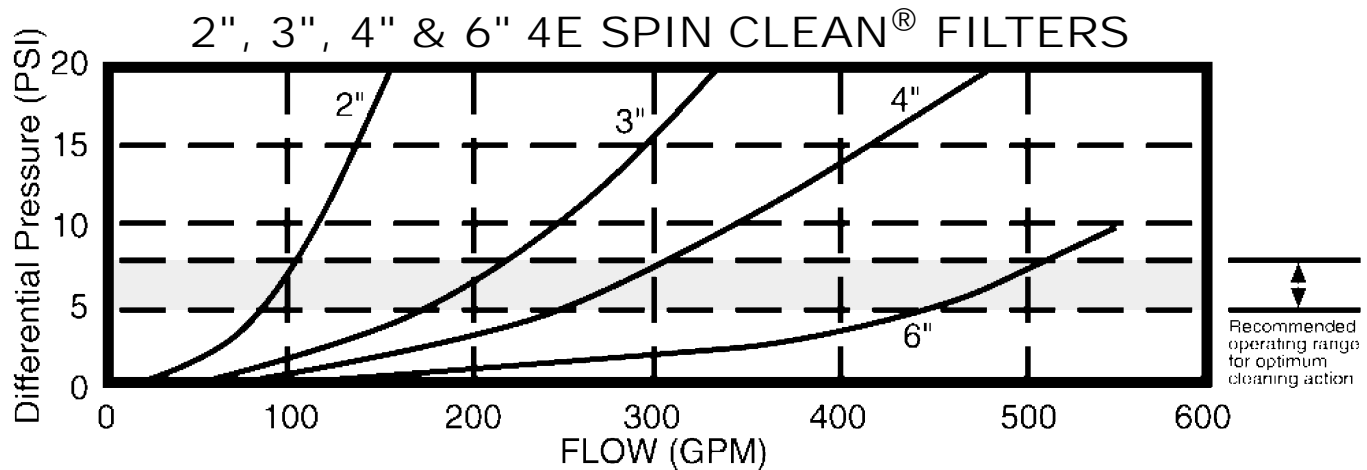
Parts View



Note: The debris basin on the 2" through the 6" is installed with a bail and handle.

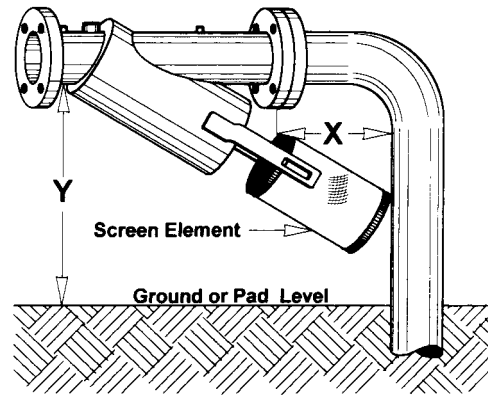
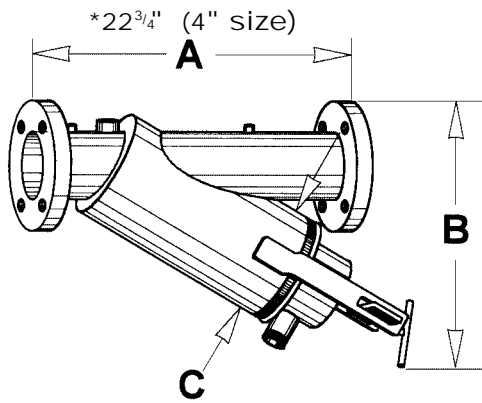


Installation Instructions



FLOW RANGE GPM (M ³ /hr)				
FILTER SIZE	FULLY OPEN SPIN PLATE	1 HOLE PLUGGED	2 HOLES PLUGGED	3 HOLES PLUGGED
2"	84 to 103 (19 to 23)	72 to 90 (16 to 20)	60 to 75 (13 to 17)	47 to 57 (10 to 12)
3"	170 to 210 (38 to 47)	148 to 180 (33 to 40)	113 to 145 (25 to 32)	87 to 107 (19 to 24)
4"	284 to 365 (64 to 82)	228 to 290 (51 to 65)	182 to 232 (41 to 52)	130 to 163 (29 to 37)
6"	470 to 550 (106 to 124)	412 to 481 (93 to 109)	344 to 412 (78 to 93)	296 to 344 (67 to 78)
6"-HF	720 to 1000 (163 to 227)	600 to 790 (136 to 179)	480 to 630 (109 to 143)	360 to 475 (81 to 107)
8"	1050 to 1300 (238 to 295)	900 to 1100 (204 to 249)	825 to 950 (187 to 215)	625 to 700 (141 to 158)
10"	1800 to 2200 (408 to 499)	1500 to 1850 (340 to 420)	1250 to 1550 (283 to 352)	1050 to 1300 (238 to 295)
12"	2300 to 2800 (522 to 635)	2000 to 2400 (454 to 545)	1700 to 2100 (386 to 476)	1450 to 1750 (329 to 397)

Specifications



*Flange to flange dimension has changed from original version on 4" model.

DIMENSIONS			
SIZE	A	B	C
2"	19 1/8" (48.6 cm)	16" (43.2 cm)	6 5/8" (16.8 cm)
3"	19 1/8" (48.6 cm)	17" (45.1 cm)	6 5/8" (16.8 cm)
4"	22 3/4" (51.4 cm)	19" (43.21 cm)	6 5/8" (16.8 cm)
6"	29 1/2" (74.9 cm)	22" (55.9 cm)	8 5/8" (21.9 cm)
6"-HF	40" (101.6 cm)	27" (68.6 cm)	12 3/4" (32.4 cm)
8"	44" (111.8 cm)	29" (73.7 cm)	12 3/4" (32.4 cm)
10"	58" (147.3 cm)	42" (106.7 cm)	18" (45.7 cm)
12"	63" (160.0 cm)	46" (116.8 cm)	18" (45.7 cm)

MINIMUM CLEARANCES		
SIZE	X	Y
2"	12" (20.3 cm)	16" (45.7 cm)
3"	12" (20.3 cm)	16" (45.7 cm)
4"	14" (30.5 cm)	16" (53.3 cm)
6"	15" (38.1 cm)	20" (50.8 cm)
6"-HF	22" (55.9 cm)	26" (66.0 cm)
8"	17" (43.2 cm)	38" (96.5 cm)
10"	19" (48.3 cm)	39" (99.1 cm)
12"	21" (53.3 cm)	40" (101.6 cm)

STEEL FILTER SCREEN MEASUREMENTS						
SIZE	DIAMETER		LENGTH		LENGTH WITH COLLARS	
	IN	CM	IN	CM	IN	CM
3"	5 3/8"	13.65	9 1/4"	23.50	N/A	N/A
4"	5 3/8"	13.65	12"	30.48	N/A	N/A
6"	6 3/8"	16.19	16 11/16"	42.39	N/A	N/A
6"-HF	9 3/8"	23.81	19"	48.26	21 1/2"	54.61
8"	9 3/8"	23.81	25 15/16"	65.88	28 1/2"	72.39
10"	14 1/2"	36.83	28 15/16"	73.50	31 9/16"	80.17
12"	14 1/2"	36.83	36 3/16"	91.92	38 7/8"	98.74

BASIC SQUARE WEAVE SCREENING INFORMATION					
TYLER MESH	COLOR ENDS	MICRONIC RATING	APERTURE (IN)	OPENING PERCENTAGE	WIRE DIAMETER (IN)
30	Gold	540	.021	40.8	.012
50	Yellow	280	.011	30.3	.009
100	Blue	140	.0055	30.3	.0045
150	Black	104	.0041	37.4	.0026
200	Red	74	.0029	33.6	.0021



P.O. Box 3760 - Ontario, CA 91761 800.828.9919 - Fax: 800.777.6162
 P.O. Box 3546 - Haines City, FL 33845 - 800.848.8153 - Fax: 800.533.6421
 8020 W. Doe Ave. Ste E - Visalia, CA 93291 - 559-651-3221 - Fax: 559-651-3207
 Visit us at: www.agproducts.com
 Copyright 2003 Agricultural Products, Inc.
 All rights reserved.